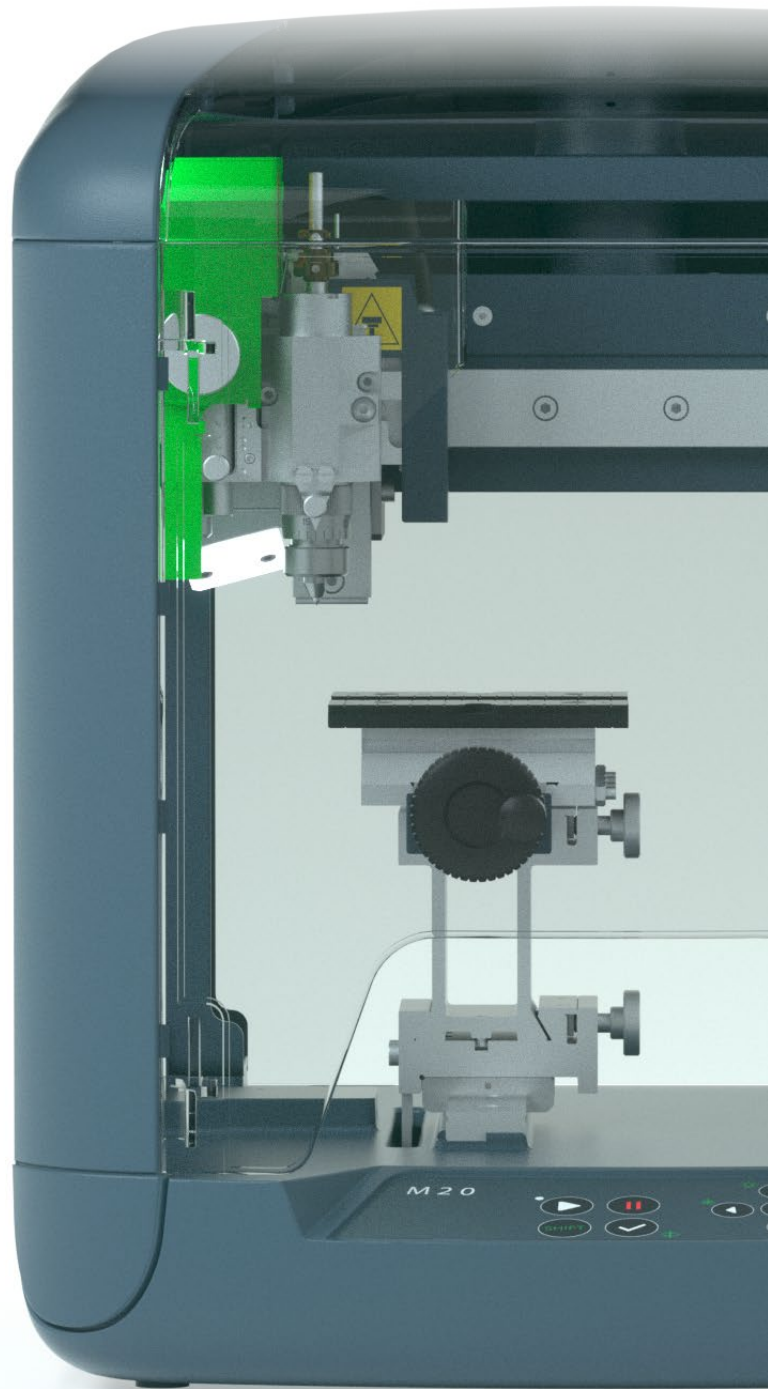




ENGRAVING STATION

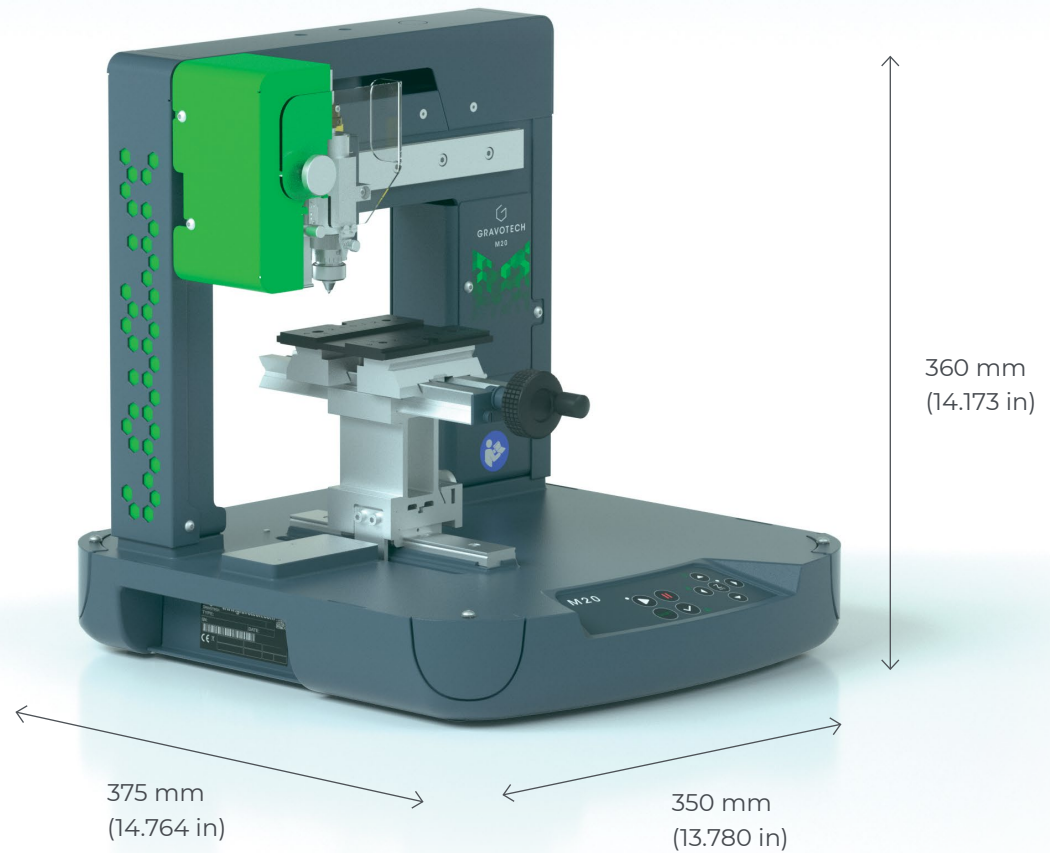
M20



GRAVOTECH
EXPRESSION OF THINGS



As the best-selling rotary engraver, the M20 can adapt to any purpose and fit any job. Small and lightweight, you can find a place for the M20 in every shop, workshop and even take it on a promotion tour.



EASY-TO-USE

Engraving has never been easier thanks to the M20: Bluetooth, simple control panel, multiple positioning vices, open design for easy parts loading and unloading, and our unique engraving assistance features (point & shoot, engraving preview, automatic height measurement, surface tracking, etc.).

STRONG

This rotary engraving machine benefits from a new sturdy bridge and a stronger spindle. Created for industry, the M20 design is a guarantee of its longevity and durability. Designed for customer safety and sleekness which enables it to fit in any retail store. Bringing these two elements into one machine gives the M20 the heart and inner workings of an industrial powerhouse, with the looks and design that shows well in luxury boutiques where customers can admire and watch as their purchase becomes one of a kind.

MODULAR

With many accessories, any version can easily be upgraded to fit the evolution of businesses and customers needs. The M20 is the ideal solution for engraving jewellery (pendants, inside and outside of rings and bracelets), personalising gift items (pens, keyrings), engraving photos or logos (medals, lighters), making small signs (CE plate, mailbox labels, electrician's tape, name-plates) and brass plates engraving.

SEE OUR VIDEO



KEY FEATURES



Jewellery Engraving Machine

Upgrade the M20 with the Jewel pack to support the jeweller's daily creations.

Thanks to this rotary device, you can bring a unique touch to your creations by personalising the inside and outside of rings and bracelets and quickly switch to curved bangles.

With specialized cutters and diamonds, this machine is the perfect complement to your creations!



Customer Experience

The M20 is the solution to create events in your shop.

The transparent cube highlights your product being engraved while ensuring total safety.

Its industrial but sleek design in a retail environment attracts the curiosity of your customers and create buzz.

This is the ideal solution to adding value to your products.



Engraving assistance

- Surface tracking with the depth nose unit
- Automatic detection of the object height.
- Positioning assistance
 - Self-centering vices
 - Positioning and simulation of the engraving (Point & Shoot)
 - Engraving preview
- A wider range of tools
- Connectivity to computer and tablets via Bluetooth and USB

LEARN MORE ABOUT THE M20



APPLICATIONS



Marking tools for identification and equipment traceability



Personalising and engraving jewellery



Funeral plaques and headstones engraving



Pet and dog tags engraving



Express Engraver



ID Tags

MATERIAL CHARACTERISTICS

Technology		ROTARY	DIAMOND DRAGGING
Materials	Wood, varnished wood	◀◀▶▶	
	Glass, Crystal	▶	▶
	Leather	◀◀▶▶	
	Stone, Granite, Marble	◀▶▶	
	Ceramic	▶	▶
	Plastics	◀◀▶▶	
	Metal	◀◀▶▶▶	▶
	Engraving materials	◀◀▶▶▶	▶

◀▶ = Cutting ◀▶▶ = Engraving / Deep marking ▶ = Marking / Etching

MAKE YOUR SAMPLES



SOFTWARE

NOVICE



Catalog

Do you have a limited range of products to engrave? Catalog is the right choice for you! Contact us for a customized Catalog version, integrating your own range of products.

BEGINNER



ABC

ABC software is the easiest engraving software for Gravotech laser and rotary machines. Engrave in only 3 simple steps, from a computer or a tablet!

EXPERT



Gravostyle™

One-of-a-kind piloting software for Gravotech laser and rotary engraving machines

SERVICE & SUPPORT



Training

Our training modules are designed to optimize your use of our solutions and are available for our full range of machines, software and accessories.



Technical Support

We bring you local support in your language in more than 50 countries, where we have established presence directly and with our distribution partners.



Maintenance

Thanks to experience gathered with Gravograph and Technifor and our global presence in more than 50 countries with 150 Gravotech technicians and our distributor partners, we can offer you a wide range of services.

TECHNICAL DATA

	M20
Technology	rotary, scribing
Marking area max	100 x 100 (4 x 4 in)
Spindle power	30W
Max object height	100 mm (4 in)
Max objects size (L x W)	190 x 110 mm (7,5 x 4,3 in) or unlimited x 60 mm (2,36 in)
Max objects weight	10 kg - 22 lbs
Machine dimensions (L x W x H)	375 x 350 x 360 mm (14,8 x 13,8 x 14,2 in)
Machine weight	11,9 kg (26 lbs)
Z axis auto	Yes
Type of spindle	Top load spindle - Hollow shaft motor
Noise	<70 dB
Point & shoot	Yes
Operating temperature	min. +5°C (+ 41°F) - max. +40°C (+104 °F)
Connection to computer	USB / Bluetooth
Maximum speed	40 mm/s (1,58 in/s)
Z stroke (Z travel)	30mm (1,18 in)
Rotation speed	19800 rpm
Tool diameter	4,36mm (0,17 in)



GRAVOTECH
EXPRESSION OF THINGS

info.in@gravotech.com

+91 20 41 03 00 01

www.gravotech.in

GRAVOTECH ENGINEERING PVT LTD

Gat No 2323/1, 'Reality Warehousing', Nagar Road
412207, Pune – Wagholi, India

Follow us:

